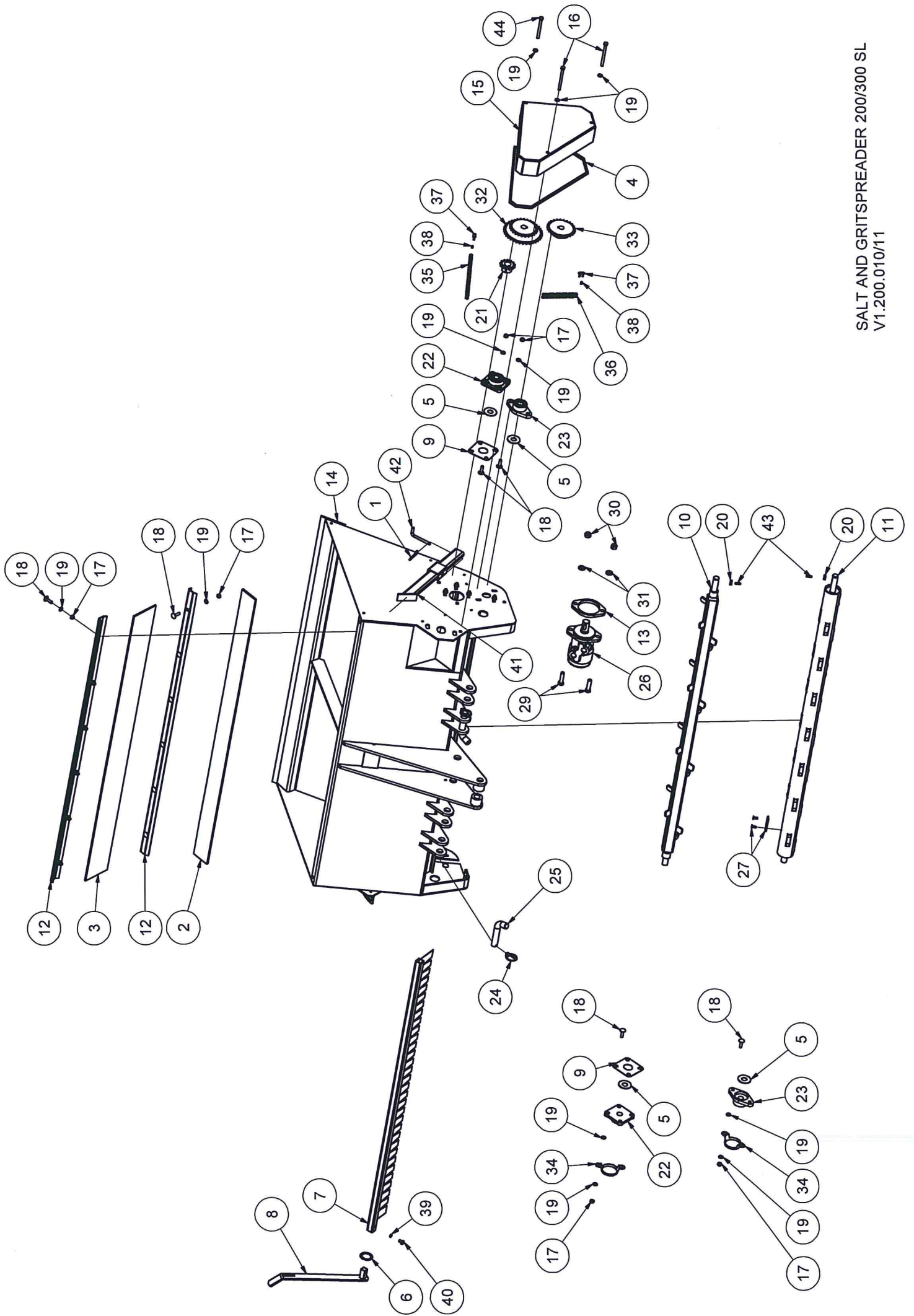


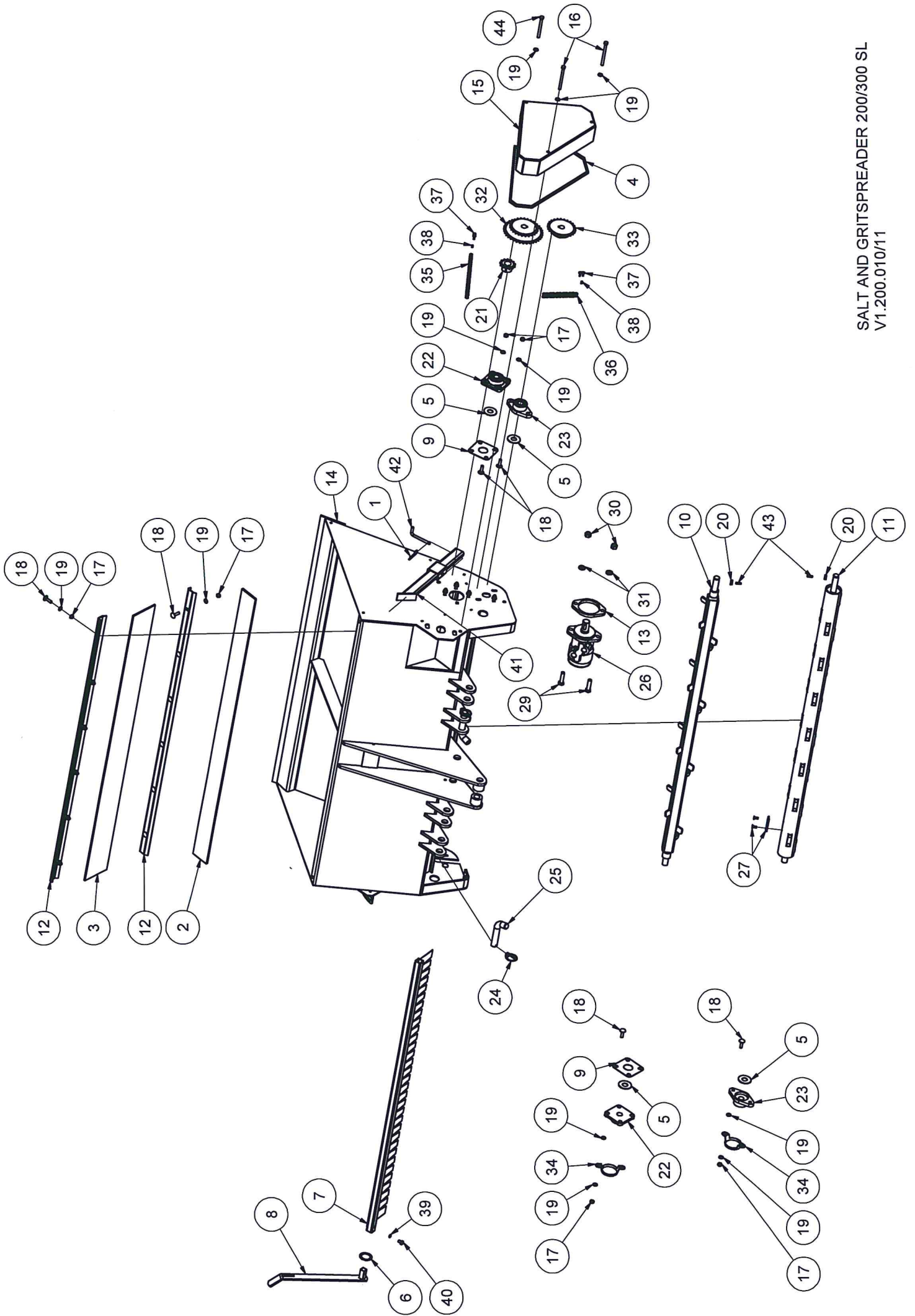
# *Spare Parts List*

Typenr.: Type no.: Ballart nr.: _____	Fabrikationsnr.: Prod. no.: Prod. nr.: _____
Årgang: Year: Jahr: _____	Max. arb. tryk: Max. pressure: Max. Druck: _____
Egenvægt: Net weight: Eigengewicht: _____	Spænding: Voltage: Spannung: _____
Max. last: Max. load: Max. ladung: _____	



# 200 / 300 SL

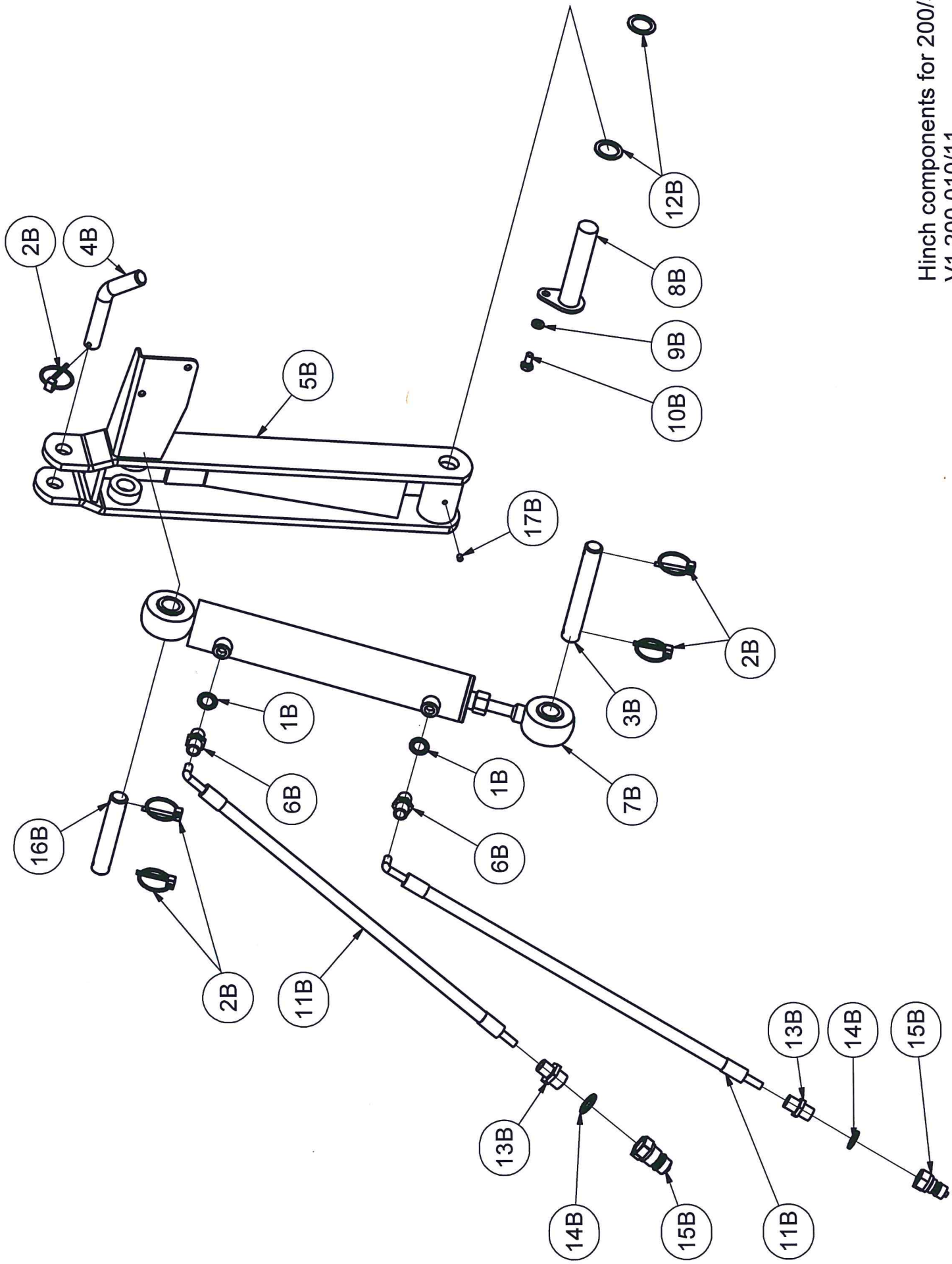
Pos	Res.no.	Kasse	Hopper	Behälter	Note
	21009010	Kit sæt vedr.200SL/300SL	Kit set vedr. 200 SL / 300 SL	Kit satz für 200 SL / 300 SL	
1	23006021	Hårnålesplit Ø3 type B DIN1102	Split Pin ø3 type B DIN11024	Splinte ø3	
2	8000015	Gummibund type 100/200	Rubber bottom 6x75x1012	Gummiboden 6x75x1012	
2	8000031	Gummibund 6x75x1262 Type 120/3	Rubber bottom 6x75x1262	Gummiboden 6x75x1262	
3	8000016	Gummibund 5x120x1012 TYPE 100/	Rubber bottom 5x120x1012	Gummiboden 5x120x1012	
3	8000032	Gummibund 5x120x1262 Type 120/	Rubber bottom 5x120x1262	Gummiboden 5x120x1262	
4	8000026	Gummitætningssliste EPBM 7x8 ti	Weater strip 7x8 4mm pl	Gummidichtungsliste 7x8	
5	V1005100	Pakning f. UCFL 204	Rubber Packing Ø48/ø20x2 - NBR	Dichtung	
6	V1102110	Washer for spring bottom	Washer for spring bottom AISI	Schreibe für Federboden	
7	V1102002	Fjederbund monteret 100/200	Spring bottom	Federboden	
7	V1102001	Fjederbund monteret 120/300	Spring bottom	Federboden	
8	V1102043	Adjusting handle	Adjusting handle	Einstellungs handgriff	
9	V1105000	Bagplade v/leje UCF 204	Back plate a/bearning UCF 204	Platte für Lager UCF 204	
10	V1106000	Omrører til type 100/200	Stir Type 100/200	Umröhren, Montiert	
10	V1106001	Omrører til type 120/300	Stirrer type 120/300	Umrühren	
11	V1109000	Udlæggervalse f. 100/200, mont	Roll f. 100/200, mounted.	Auslegerwalze	
11	V1109001	Udlæggervalse f. 120/300, mont	Roll for 120/300, mounted	Auslegerwalze	
12	V1112000	Liste v/gummibund TYPE 100/200	Retainer TYPE 100/200	Kehlung	
12	V1112001	Liste v/gummibund Type 120/300	Retainer Type 120/300	Kehlung	
13	V1202000	Mellemflange for OMR	Flanged for OMR	Flansch	
14	V1210002	Kasse type 200 SL.	Hopper 200SL	Behälter 200SL	
14	V1210003	Kasse type 300 SL.	Hopper 300SL	Behälter 300SL	
15	V1211001	Skærm v/kædedrev 200-300 SL	Screen near chain pinion 200-3	Schirm aus kettenrad 200-300 S	
16	22077341	Rustfri bolt M8x100	Stainless bolt M8x100	Rustfrei Bolz M8x100	
17	22077103	Rustfri låsemøtrik M8	Stainless lock nut M8 DIN 985	Rostfrei Gegenmutter M8	
18	22077043	Rustfri bræddebolt M8x30	Stainless carriage bolt M8x30	Rostfrei Schwellenschraube M8x	
19	22077532	Rustfri skive ø16/ø8,4x1.5	Stainless washer ø16/ø8,4x1.5	Rostfrei Scheibe	
20	23000401	Feder 6x6x20 form A	Key 6x6x20 form A	Feder 6x6x20 form A	
21	26020023	Simp.nav kædehjul 1/2"-13Z/Ø25	Chain wheel 1/2"-13Z/Ø25H7	Kettenrad 1/2"-13Z/ø25	
22	25020000	Flangeleje UCF 204 Ø20	Flanged bearing 204	Flanschenlager 204	
23	25020001	Flangeleje UCF 204-Ø20	Flanged bearing 204-ø20	Flanschenlager 204-ø20	
24	23006000	Traktorsplit Ø4,5X33/35 FZB	Split pin Ø4,5X33/35 FZB	Splint ø4,5x40	
25	V1016002	Nagle for liftarm 200/300 SL	Spike for liftarm 200/300 SL	Nagel f. arm	
26	21070306	Pakningssæt Sam BG	Packing set Sam BG	Dichtsatz Sam BG	176.180.001
26	21072003	Oliemotor OMP 100 HPS C25	Oil engine OMP 100 HPS C25	Ölmotor Bg 100N C25	176.180.001
26	21070302	Pakningssæt Sam AR	Gasket set Sam AR	Dichtsatz Sam AR	-176.270.010
26	21070300	Oliemotor Ar 100N C25	Oil engine	Ölmotor	-176.270.010
26	21070300	Oliemotor Ar 100N C25	Oil engine	Ölmotor	-177.170.006
26	21070302	Pakningssæt Sam AR	Gasket set Sam AR	Dichtsatz Sam AR	-177.170.006
26	21072003	Oliemotor OMP 100 HPS C25	Oil engine OMP 100 HPS C25	Ölmotor Bg 100N C25	177.180.001
26	21070306	Pakningssæt Sam BG	Packing set Sam BG	Dichtsatz Sam BG	177.180.001
27	V1100024	Sæt, skrue-knast - Sandspreder	Set, screw-cam - 100/200	Satz, Nocken-Schrauben - 100/2	
29	22002300	Mask. bolt M12x45 fzb	Machine bolt M12x45 fzb	Maschine Bolzen M12x45	
30	22052005	Låsemøtrik M12 FZB	Lock nut M12 fzb	Gegenmutter M12	
31	22058610	Skive M12 ø23/ø13x2,5 FZB	Washer M12 fzb ø23XØ13X2,5 FZB	Scheibe M12	
32	26020027	Chainwell 1/2"-25/35tdr.-ø20H7	Chain wheel 1/2" -5/16" Z=25/	Kettenrad 1/2"	
33	26020028	Chainwell 1/2"-Z25/Ø20	Chain wheel 1/2"-Z25/Ø20	Kettenrad 1/2"	
34	s7400020	Lejedæksel f. 204	Bearing cap	Lagerdeckel	





# 200 / 300 SL

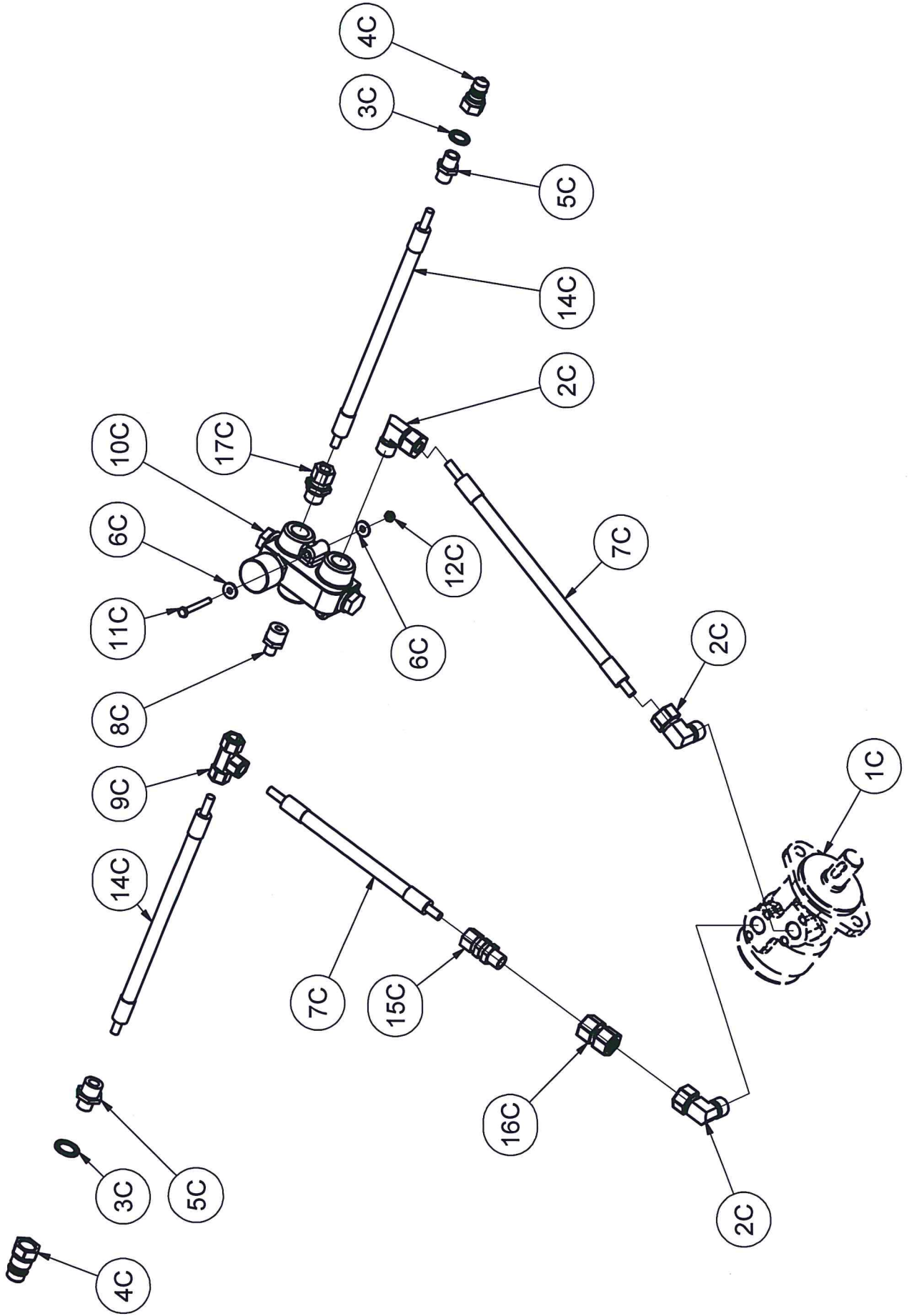
Pos	Res.no.	Kasse	Hopper	Behälter	Note
35	V1116000	Simp. kæde 1/2"x5/16"-60 led	Chain 1/2"x5/16"-60 led	Kette	
36	V1114000	Simp. kæde 1/2"x5/16"-42 led	Chain 1/2"x5/16"-42 led	Kette	
37	26030021	Udv. samleled simp.1/2"	Joint link 1/2"	Zwischenglied	
38	26030034	Fork. samleled simp. 1/2"x5/16"	Joint link cranked 1/2"x5/16"	Sammelglied verkröpft 1/2"	
39	22077201	Rustfri fjederskive M6	Stainless spring washer M6	Rostfrei Federscheibe M6	
40	22077007	Rustfri sætskrue M6x12	Stainless setscrew M6x12	Rostfrei Satzschraube M6x12	
41	V1213000	Support leg, self loader sand	Support leg, self loader sand	Stützbein	
42	V4001115	Nagle f. støttefod	Nail f. support leg	Nagel f. Stützfuss	
43	22018024	Stopskrue M6x20 45H sort m/kra	Headless screw M6x20 45H blac	Anschlagsschraube M6x20	



Hitch components for 200/300 SL  
V1.200.010/11

# 200 / 300 SL

Pos	Res.no.	Hydr. cylinder	Hydr. cylinder	Hydr. Zylinder	Note
1B	21062104	Pakring M14x1.5	Seal ring M14x1.5	Dichtungsring M14x1.5	
2B	23006000	Traktorsplit Ø4,5X33/35 FZB	Split pin Ø4,5X33/35 FZB	Splint ø4,5x40	
3B	V1218000	Aksel for cylinder	Shaft for cylinder	Welle für zylinder	
4B	V1015000	Nagle for toppunkt	Spike f. summit	Nagel f. Gipfel	
5B	V1217000	Arm for cylinder	Arm for cylinder	Gelink für Zylinder	
6B	21000853	Hydr. brystnippel ø120ml.xM14	Hydr. hexagon nipple ø120ml.xM	Hydr. Reduziernipple	
7B	21091750	Hydr. cyl. SD-50/25x165-S	Hydr. cylinder SD-50/25x165-S	Hydr. Zylinder	
8B	V1219000	Aksel for arm, svejst	Sharft for kit	Welle für Gelink	
9B	22056200	Centerfjederskive M8 fzb	Spring washer M8 fzb	Federscheibe M8	
10B	22008302	Sætskrue M8x16 8.8 fzb	Set screw M8x16 8.8 fzb	Setzschraube M8x16	
11B	21016012	Hydr. slange 3/8"x1200	Hydr. hose 3/8"x1200	Hydr. Schlauch	
12B	22058002	Passkive ø25/ø35x2.0	Shim washer ø25/ø35x2	Pas-scheibe ø25/ø35x2	
13B	21000844	Hydr. brystnippel 3/8"xM16-1,5	Hydr. hexagon nipple 3/8"xM16-	Hydr. Reduziernipple	
13B	21000845	Hydr. brystnippel 1/2"xM16-1,5	Hydr. hexagon nipple 1/2"xM16-	Hydr. Reduziernippel	
14B	21062101	Pakning 3/8"	Seal Ring 3/8"	Dichtring 3/8"	
14B	21062102	Pakring 1/2"	Seal Ring 1/2"	Dichtring 1/2"	
15B	21000402	Hankobling 1/2" sterling	Male hydraulic snap coupling 1	Hydr. Anschluss 1/2"	
15B	21000403	Hankobling 3/8" sterling	Male coupling 3/8"	Hydr. Anschluss Aus.g. 3/8"	
16B	V1220000	Aksel for cylinder	Shaft for cylinder	Welle für Zylinder	
17B	22018020	Stopskrue M6x8 45H sort m/krat	Headless screw M6x8 45H	Anschlagsschraube	

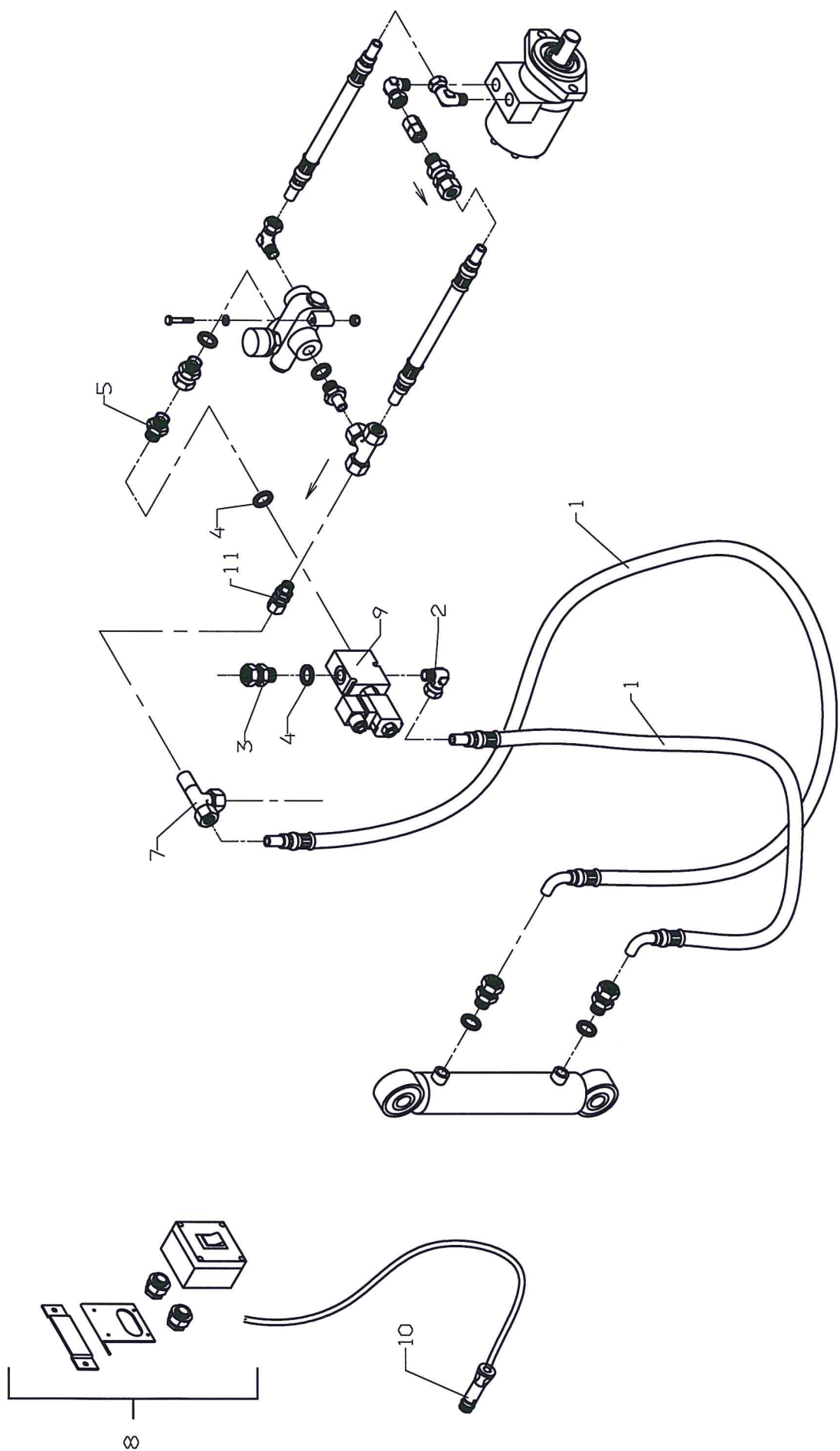


Hydraulic parts for 200/300 SL  
V1.200.010/11



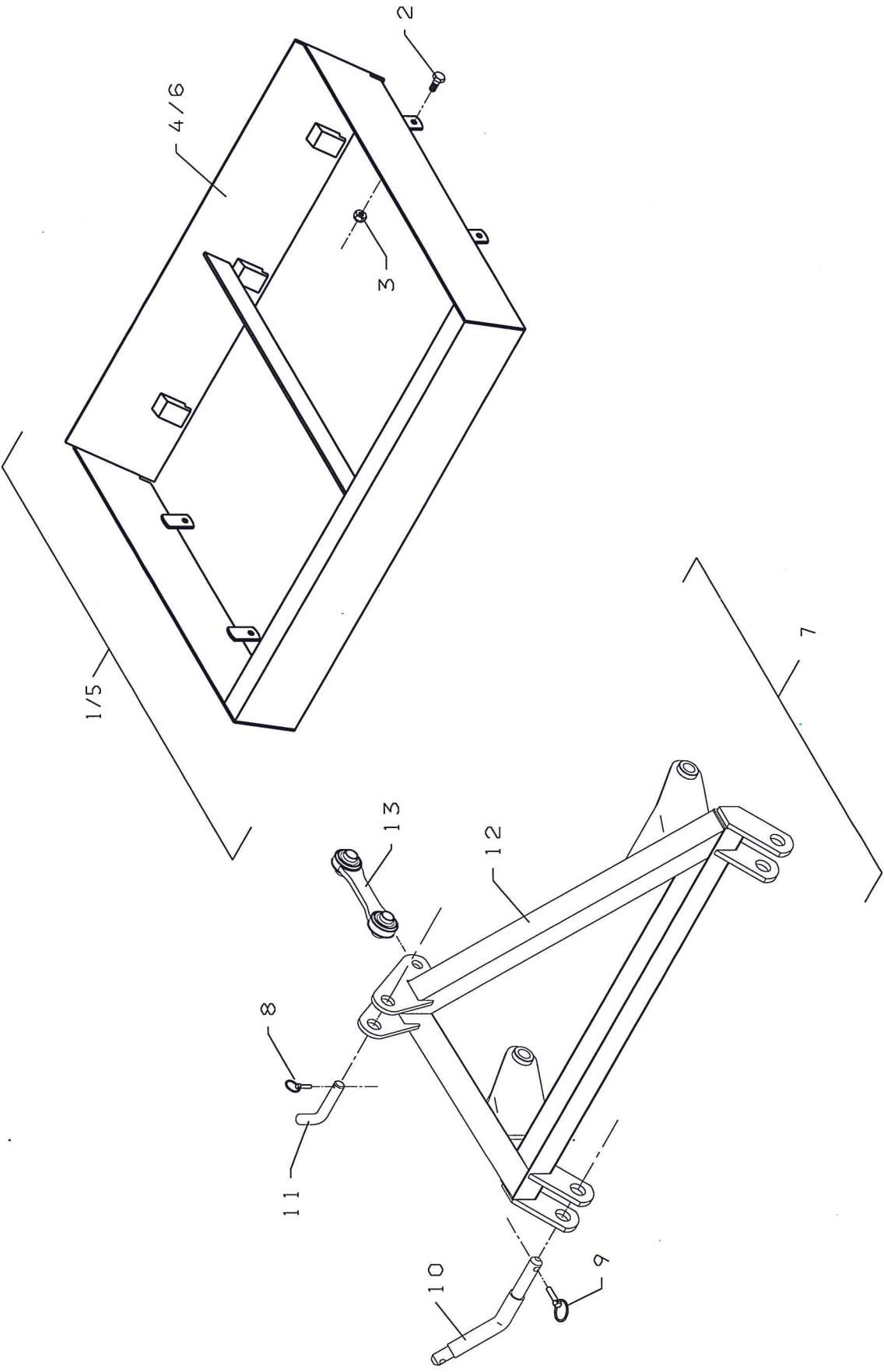
# 200 / 300 SL

Pos	Res.no.	oliemotor	Oil engine	Ölmotor	Note
1C	21072003	Oliemotor OMP 100 HPS C25	Oil engine OMP 100 HPS C25	Ölmotor Bg 100N C25	
1C	21070306	Pakningssæt Sam BG	Packing set Sam BG	Dichtsatz Sam BG	
2C	21000705	Hydr. vinkel Ø12m/oml x 1/2"K	Hydr. elbow Ø12m/oml x 1/2"K	Hydr. Winkel Ø12	
3C	21062102	Pakring 1/2"	Seal Ring 1/2"	Dichtring 1/2"	
4C	21000402	Hankobling 1/2" sterling	Male hydraulic snap coupling 1	Hydr. Anschluss 1/2"	
4C	21000403	Hankobling 3/8" sterling	Male coupling 3/8"	Hydr. Anschluss Aus.g. 3/8"	
5C	21000844	Hydr. brystnippel 3/8"xM16-1,5	Hydr. hexagon nipple 3/8"xM16-	Hydr. Reduziernippel	
5C	21000845	Hydr. brystnippel 1/2"xM16-1,5	Hydr. hexagon nipple 1/2"xM16-	Hydr. Reduziernippel	
6C	22058401	Skive M6 FZB 18/6,4x1,6	Washer M6 FZB 18/6,4x1,6	Scheibe M6	
7C	21016107	Hydr. slange 3/8"x750	Hydr. hose 3/8"x750	Hydr. Schlauch 3/8"	
7C	21016107	Hydr. slange 3/8"x750	Hydr. hose 3/8"x750	Hydr. Schlauch 3/8"	
8C	21000825	Hydr. brystnippel 1/2"XØ12stud	Hydr. hexagon nipple 1/2"xØ12	Hydr. Reduziernippel 1/2"xØ12	
9C	21000603	Hydr. T Ø12oml-Ø12oml-Ø12oml	Hydr. T Ø12oml-Ø12oml-Ø12oml	Hydr. T Ø120ml	
10C	21010203	Olieprop 3/8" gr.508 din 908	Drainplug 3/8"	Pfropfen 3/8"	
10C	21075406	Prioritetsventil DOVFC001/2050	Priority valve DOVFC001/2050LH	Prioritätsventil	
11C	22002105	Mask. bolt M6X50 8.8 fzb	Bolt M6x50 8.8 fzb	Bolzen M6x50	
12C	22052002	Låsemøtrik M6 FZB	Lock nut M6 FZB	Gegenmutter M6	
13C	21062101	Pakning 3/8"	Seal Ring 3/8"	Dichtring 3/8"	
14C	21016012	Hydr. slange 3/8"x1200	Hydr. hose 3/8"x1200	Hydr. Schlauch	
15C	21075603	Kontraventil Ø12oml. 1,0bar 23	Non-return valve Ø12oml. 1,0ba	Rückschlagventil	
16C	21001052	Omvendt hydr.samler Ø12	Hydr. collector Ø12	Hydr. Sammler	
17C	21000810	Brystnippel 1/2"XØ12oml	Hexagon nipple 1/2"xØ12oml	Reduziernippel 1/2"xØ12oml	



# 200 / 300 SL

	Omskifterventil	El. valve	Kantschar	
Pos	Res.no.			Note
	V1900035	Sæt, el. skifteventil for 200/	Set, elekt. turning valve 200/	Satz, Umschalterventil 200/300
1	21014706	Hydr. slange 3/8"x600	Hydr. hose	Hydr. Schlauch
2	21000700	Hydr. vinkel Ø12 m/oml x 3/8"	Hydr. elbow	Hydr. Winkel
3	21000806	Hydr. brystnippel 3/8"XØ12	Hydr. hexagon nipple 3/8"xØ12	Hydr. Reduziernippel 3/8"xØ12
4	21062101	Pakring 3/8"	Seal Ring 3/8"	Dichtring 3/8"
5	21000818	Hydr. brystnippel 3/8udv.xØ12	Hydr. hexagon nipple 3/8 out.x	Hydr. Reduziernippel 3/8 ausse
7	21000610	Hydr. T Ø12studsx12omlx12oml	Hydr. T Ø12 stobx12omlx12oml	Hydr. T Ø12 stutzenx12omlx12om
8	20009341	Kontaktbox m/1 tryk		
9	21001208	Magnetventil GS04-33-00N	Magnet valve	Magnetventil
9	21001292	Spole for 12 volt 5/8"	Spool 12V 5/8"	Spule 12V 5/8"
9	21077001	Alu. ventilblok 3/8"	Valve block 3/8"	Steurblock 3/8"
10	20010200	Hanstik 2-polet universal	Plug Socket KS 2243	Stecker KS 2243
11	21075603	Kontraventil Ø12oml. 1,0bar 23	Non-return valve	Rückschlagventil



# 200 / 300 SL

	Ekstra udstyr	Extra equipment	Ekstra Ausrüstung	
Pos	Res.no.		Note	
1	V1900054	Sæt, overbygning for 200SL	Set, hopper extension 80 ltr.	Satz, Behälteraufsatz für 200S
2	22077012	Rustfri sætskrue M8x20	Rustproof setscrew M8x20	Rostfrei Satzschraube M8x20
3	22077103	Rustfri låsemøtrik M8	Rustproof lock nut M8	Rostfrei Gegenmutter M8
4	V1900056	Overbygning for 200 SL, svejst	Hopper extension 200SL	Behälteraufsatz 200SL
5	V1900055	Sæt, overbygning for 300SL	Set, hopper extension 100 ltr.	Satz, Behälteraufsatz für 300S
6	V1900057	Overbygning for 300 SL, svejst	Hopper extension 300 SL	Behälteraufsatz 300 SL
7	V1900070	Sæt, mellemstykke, kat. 1 - ka	Set, middlepiece Cat. 1 to Cat	Satz, Zwischenstück Kat. 1 - K
8	23006000	Traktorsplit 04,5X40	Split pin 04,5x40	Splint 04,5x40
9	23006002	Traktorsplit 08X40	Split Pin 08x40	Splint 08x40
10	23006200	Nagle 028-022/90-022/40-012	Spike 028-022	Nagel 028-022
11	V1015000	Nagle for toppunkt	Spike f. summit	Nagel f. Gipfel
12	V1221040	Mellemstykke kat.1 - Kat.2, sv	Middlepiece Cat. 1 - Cat. 2	Zwischenstück Kat. 1 - Kat. 2
13	V1221041	Topstang for mellemstykke, sv.	Topbar for middlepiece	Höchststange für Zwieschenstüc